



Tilt Level Switch for solids



measuring
•
monitoring
•
analysing

NAS



- Easy to install
- Suited for universal use
- p_{\max} : 3.5 bar, t_{\max} : +85°C
- Material: PP
- From density 0.3 kg/dm³

N



KOBOLD companies worldwide:

AUSTRALIA, AUSTRIA, BELGIUM, BULGARIA, CANADA, CHINA, CZECHIA, FRANCE, GERMANY, GREAT BRITAIN, HUNGARY, INDIA, INDONESIA, ITALY, MALAYSIA, MEXICO, NETHERLANDS, PERU, POLAND, REPUBLIC OF KOREA, RUSSIA, SPAIN, SWITZERLAND, THAILAND, TUNISIA, TURKEY, USA, VIETNAM

KOBOLD Messring GmbH
Nordring 22-24
D-65719 Hofheim/Ts.
☎ Head Office:
+49(0)6192 299-0
✉ +49(0)6192 23398
info.de@kobold.com
www.kobold.com

Description

The tilt level switch model NAS has been designed to provide high level measurement in silos or any other type of storage containers located in non-hazardous areas. The NAS can be used in all grain solid applications with acceptable minimum density and grain size.

Its operation is very simple: Vertically suspended at the desired high level point, the NAS will tilt as the grain reaches the unit.

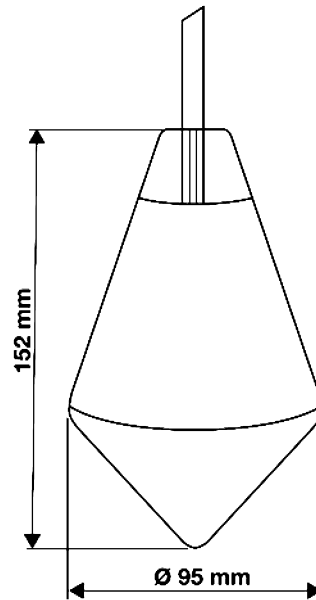
Areas of application

- Grain silos
- Cereals
- Animal feeds

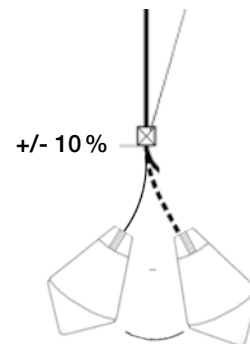
Technical Details

Operation mode:	By tilting
Important specification:	Only in non ATEX area
Electric characteristics:	250 V _{AC} , 50/60 Hz
Cut-out power:	20 (8) A
Maximum pressure:	3.5 bar
Maximum temperature:	85 °C
Protection index:	IP 68
Housing:	Copolymer polypropylene
Type of cable:	PVC 3X1 mm ²
Float weight without cable:	462 g
Cable length:	5 and 10 m
Minimum medium density:	0.3 kg/dm ³
Max. grain size:	30 mm
Option:	Ballast weight, loaded resin, 250 g

Dimensions



Angle



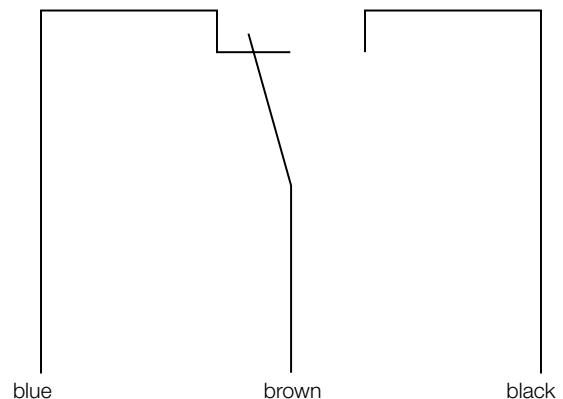
Order Details NAS (Example: NAS-W05)

Model	Contact	Cable length	Weight (net)
NAS-	W = Changeover contact	05 = 5 m	1035 g
		10 = 10 m	1610 g

Accessories NAS/NAB

Model	Description	Image
NAS-NAB-BG250	Ballast weight, loaded resin, 250 g	
NKF	Cable clamp	

Electrical Connection



Filling



When the silo fills up, the level sensor is suspended vertically.



When the high level is reached, the level sensor tilts and stops filling the silo.

IMPORTANT! the NAS level sensor must be installed opposite the arrival of the product, and at a certain distance from the wall, in order to ensure an optimal movement.

Manual filling of the silos may cause the sensor to malfunction.

NKF



Do not use a cable tie that could damage the cable and damage the device. The NKF (cable clamp) is an accessory that allows you to properly attach the electric cable to the desired height without hurting the cable.